



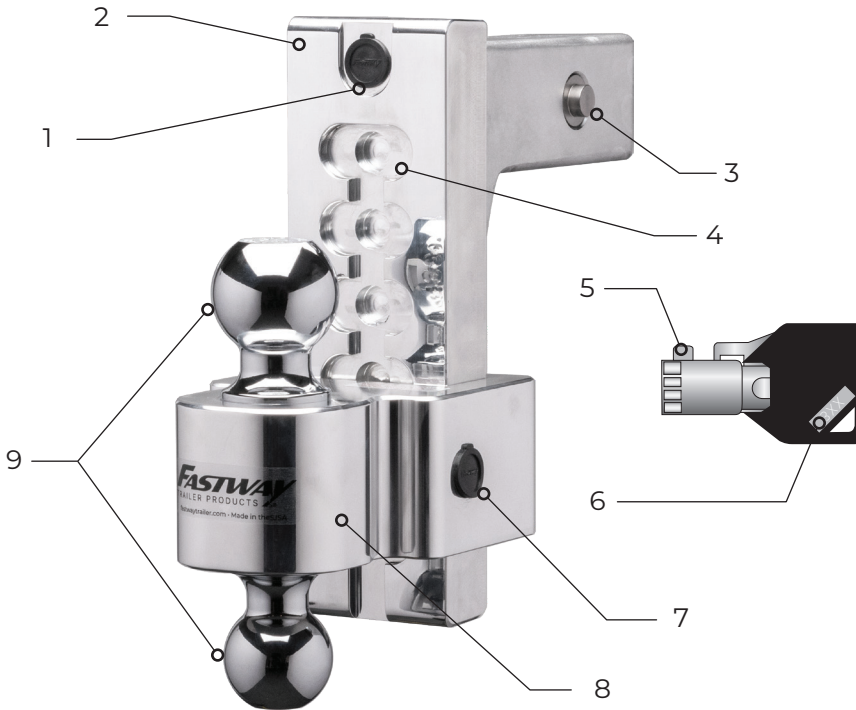
FASTWAY
TRAILER PRODUCTS®

FLASH™

BALL MOUNTS

SECURE

SECURE HD



Model 44-00-4825 shown

1. Drop bar lock cylinder and cover
2. Drop bar
3. Integrated locking pin(s)
4. Height adjustment holes
5. Key safety locator tab
6. Key code
7. Ball holder lock cylinder and cover
8. Ball holder
9. Dual hitch ball

Thank you for purchasing the Fastway® FLASH™ SECURE or SECURE HD ball mount. We are happy to welcome you to our towing family. Read these instructions thoroughly to become familiar with proper set up and maintenance procedures. This will help ensure maximum performance and years of service.

Keep these instructions for future reference or access them online at fastwaytrailer.com/manuals.

Key code:

Important: Lost keys cannot be replaced without the key code. Write it down and keep it in a safe place. If you lose your keys, contact us about a replacement at 877-523-9103.

Please register your product. See warranty information on back.

Made in the USA



SECURE	Drop (in)	Rise (in)	Shank (in)
44-00-4400	4	5	2
44-00-4600	6	7	2
44-00-4800	8	9	2
44-00-4900	10	11	2
44-00-4606	6	6	2 ½
44-00-4806	8	8	2 ½
44-00-4906	10	10	2 ½

2" ball: tongue weight rating 1,000 lb tow rating 8,000 lb
 2 5/16" ball: tongue weight rating 1,000 lb tow rating 10,000 lb

SECURE HD	Drop (in)	Rise (in)	Shank (in)
44-00-4625	6	6	2 ½
44-00-4825	8	8	2 ½
44-00-4925	10	10	2 ½

2" ball: tongue weight rating 1,800 lb tow rating 12,000 lb
 2 5/16" ball: tongue weight rating 1,800 lb tow rating 18,000 lb

Warning

Failure to follow all safety warnings may result in severe injury or death.

- Always load the trailer correctly. Follow trailer and tow vehicle manufacturer's recommendations for placement and quantity of cargo. Tongue weight should be between 10% —15% of gross trailer weight.
- Always check your locking keys before use to ensure they are in good working order and that the safety locator tab at the front of the key barrel is intact.
- Always use a hitch ball size that correctly matches your trailer coupler size and make sure it is coupled securely before towing.
- Always use an appropriately sized adapter sleeve when using a tow vehicle equipped with a larger receiver than your hitch shank size.
- Check all towing hardware before each trip. Do not tow your trailer until all pins and height adjustment holes have been checked for wear, visually verifying that the height adjustment pin is properly inserted through a height adjustment hole and lock it in place.
- It is the driver's responsibility to properly install and adjust equipment and adjust driving habits to match towing conditions. The driver is responsible for their own safety and the safety of passengers.
- Never adjust the ball holder height while the ball mount is under load from an attached trailer.
- Never cut, weld, grind, bend, heat, or modify ball mount components in any way.
- Never exceed the specified weight ratings for the trailer, tow vehicle, receiver hitch, ball mount, hitch ball, or any other towing equipment.
- Never impact the ball mount on the ground. Never back into things with your ball mount or attached trailer (i.e. loading docks, curb and gutter, etc.). If your ball mount has been impacted in any way, thoroughly inspect it for damage before towing, and if it is bent or damaged **DO NOT** tow; replace it.
- Never tow with the ball mount if any part of it shows excessive wear.

- Read, understand, and follow all safety warnings, setup, use, and maintenance instructions of your trailer, tow vehicle, and hitching equipment before installing your FLASH ball mount or towing your trailer.

Caution

- Always tow with your hitch ball adjusted to the correct height for the trailer being towed.
- Do not tow your trailer on excessively rough roads.
- Do not tow your trailer through profound ditches or dips where the ball mount could impact the ground.
- Insert the key firmly and completely into the lock cylinder before rotating the lock.
- Replace all worn, faded, or unreadable warning stickers on the ball mount immediately.

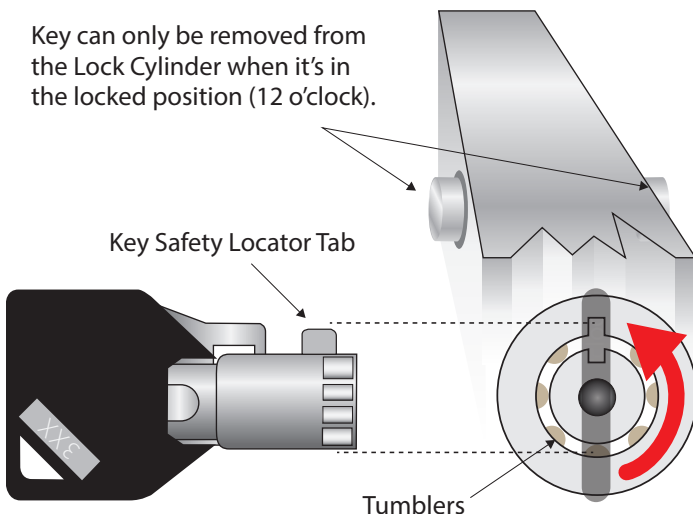
Integrated Locking System

The FLASH SECURE and SECURE HD features an integrated locking system that locks the drop bar into the receiver and the ball holder to the drop bar. Both locking mechanisms are controlled by the included locking keys.

1. When the locking pins are retracted or not in use, the key cannot be removed from the lock cylinder.
2. To remove the key, slide the drop bar into the receiver and line up the locking pins with the hole in the receiver.
3. Rotate the key counterclockwise $\frac{1}{2}$ turn to engage the locking pins in the receiver.
4. If the key will not remove or fully rotate, ensure that the locking pins are completely engaged and there are no obstructions.
5. Do not use excessive force to remove the key, doing so may break the key. If the locking pins are aligned the key will be removed easily.

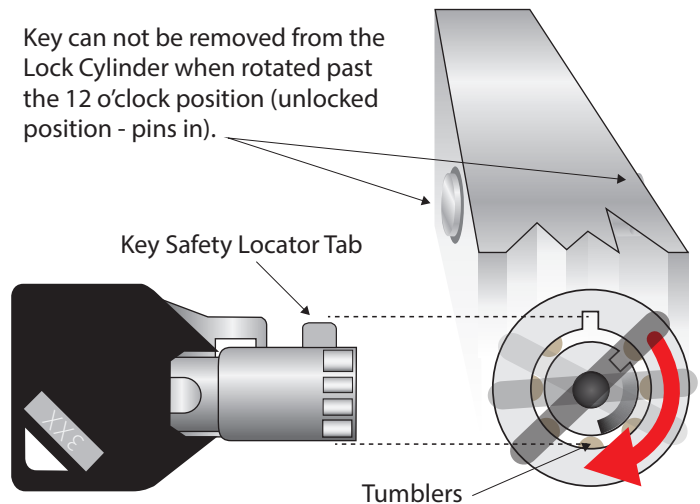
LOCKED POSITION - PINS OUT

Key can only be removed from the Lock Cylinder when it's in the locked position (12 o'clock).



UNLOCKED POSITION - PINS IN

Key can not be removed from the Lock Cylinder when rotated past the 12 o'clock position (unlocked position - pins in).



- To unlock, insert the key fully into the lock and turn it clockwise a 1/2 turn.

Each SECURE or SECURE HD has a specific key code. This information will be in the box when you receive it. Keep a record of the key code. If the keys are lost and you have the code, contact our customer support team for a replacement set.

Setting Up

- Level the trailer by parking it on a flat surface.
- Measure from the ground to the frame at both the front and rear of the trailer. Use the tongue jack to adjust until it is level (both front and rear measurements are the same).
- Check the amount of tongue weight using a tongue scale. 10%—15% of the gross trailer weight is normal for good tongue weight. Adjust the trailer loading if necessary.
- Back the tow vehicle up to the trailer, leaving a few feet of working space between them.
- Slide the drop bar into the tow vehicle's receiver hitch and lock it into place.
- Measure from the ground to the bottom of the coupler on the trailer, then lock the ball holder into place on the drop bar at that height by rotating the key counterclockwise 1/2 turn then sliding the ball holder up or down until the spring-loaded pin pops into the desired adjustment hole. Then rotate the key counterclockwise an additional 1/2 turn to fully engage the locking pin into the drop bar. (Figure 1)

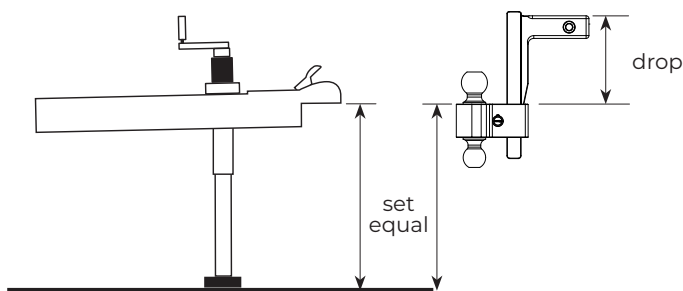


Figure 1

- Always use the correctly sized hitch ball for your trailer.
- You may need to invert the drop bar and use it in the rise position to reach the correct ball height for your trailer.
- Always lock the ball holder to the drop bar before placing a load on the ball mount. Removing the key should be simple, make sure the key is fully rotated before removing.**
- Couple the trailer and fully retract the trailer jack.
- With the trailer coupled, measure to the bottom of the coupler again, and compare the second measurement to the

first. The difference between these is the distance the ball mount should be adjusted upward to compensate for the drop caused by the trailer's tongue weight.

- Uncouple the trailer.
- Raise the ball holder to the adjusted towing height and lock it into place. It is best to tow with the trailer as level as possible.
- Couple the trailer.
- Repeat this process if the loading of your trailer changes, or to set the ball mount up for a different tow vehicle and/or trailer.

Stow-Away Feature

The SECURE ball mount can rotate under the truck bumper when not in use, protecting your shins and avoiding impact with anything when in reverse.

The following models of the SECURE ball mount have Stow-Away capability with most vehicles:

- 6" Standard, 2-1/2" and HD Models
- 8" Standard, 2-1/2" and HD Models
- 10" Standard, 2-1/2" and HD Models

Care and Maintenance

Clean - Regularly (at least monthly) remove your ball mount from the receiver and wipe away any moisture and road grime from the lock cylinders with a soft cloth or compressed air. When cleaning the drop bar and ball holder surfaces, **DO NOT** use a degreaser or harsh cleaners - mild soap and water is best for aluminum.

If you live in an area where salt and sand are used during winter to treat roadways, remove your FLASH ball mount and store it inside the tow vehicle. These elements are extremely abrasive and can damage the hand-polished finish of your ball mount.

Lubricate - Always lubricate the hitch ball with heavy, multi-purpose grease or wheel bearing grease. As needed, retract the drop bar and ball holder locking pins and apply a small amount of oil to allow for easy locking and unlocking.

Polish - Maintain the shine of the ball mount by using aluminum wheel cleaner and applying an automobile wax to protect the finish. Do not polish or wax the lock cylinders.

Limited 1 Year Warranty

Do not return this product to the retailer.

For warranty claims or customer support contact Fastway Trailer Products weekdays 8:00 AM - 5:00 PM Mountain time at (877)523-9103 or by email at support@fastwaytrailer.com.

Fastway Trailer Products warrants the FLASH SECURE and SECURE HD ball mount, excluding chrome and corrosion, against latent defects in materials and workmanship under normal use and service. Ordinary wear and tear is excepted, to the original owner for a period of 1 year from the first date of purchase at retail up to the value of its original purchase price. If this product is latently defective it will be replaced or repaired when a proper return authorization is obtained, and the product is returned with transportation charges prepaid to Fastway Trailer Products.

Fastway Trailer Products shall not be required to replace or repair any products damaged as a result of improper installation, alteration, unreasonable use, or improper maintenance including, without limitation, loading the product beyond the factory-rated load capacity.

This warranty does not include labor charges nor does it include transportation charges for returning the product to the consumer. To the extent allowed by law, Fastway Trailer Products shall not be liable for any incidental, consequential, or any other damages including, without limitation, breach of any implied warranty, merchantability, or fitness for a particular purpose of any Fastway product. In no event shall Fastway Trailer Products be liable for any damages other than the replacement or repair of the affected part. Authorization and warranty procedure may be obtained by calling Fastway Trailer Products customer support at (877)523-9103 or support@fastwaytrailer.com.

Find Us Online

We would love to connect with you. Find us on these social media platforms.

- ▶ youtube.com/fastwaytrailer
- ▶ facebook.com/fastwaytrailer
- ▶ X.com/fastwaytrailer
- ▶ instagram.com/fastwaytrailer

Visit Fastway® Trailer Products at www.fastwaytrailer.com for faster and easier towing solutions.

Great products make towing faster and easier. Get more info at fastwaytrailer.com.

ZIP[™]
BREAKAWAY
CABLE



Protect your fingers from loose, sharp wire, and provide a safer and more effective connection to your trailer.

FLIP[™]
AUTOMATIC
JACK FOOT



Save time and effort by extending your trailer jack by six inches, eliminating 48 cranks in each direction.

ONESTEP[™]
STABILIZING WHEEL CHOCK



Virtually eliminates unwanted wheel movement providing the most stability for your trailer.